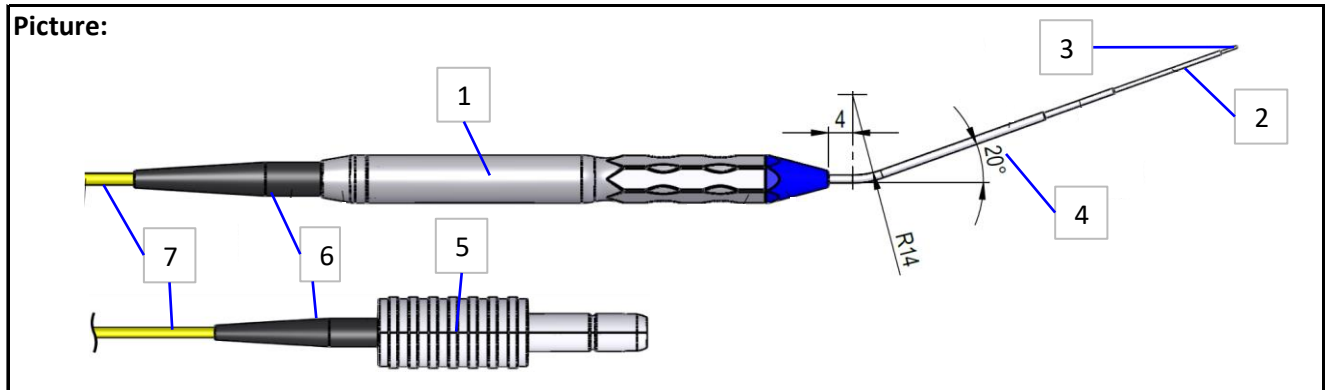


Manufacturer	A.R.C. Laser GmbH	Country of Origin	European Union
Product Name	Otology Probe, long, u.c.	Reference Number	LL28058s_VE5
Product Group	Otology Probes		
Packaging Unit	5	Packaging Size	39 cm x 26 cm x 18 cm
Weight per Unit	970 g		
Weight per Piece without double pouches	18 g	Weight per Unit with double pouches	142 g
GTIN Piece	04260155591501	GTIN Unit	04260155592805
HS Number	90189084		



Position	Description
1	Handpiece with blue cap
2	Cannula
3	Fiber tip, protrusion 3 mm
4	Bending radius
5	Connector to laser
6	Bend protection
7	PVC-Tubing, yellow

Features:	Length	2.50 m (incl. probe and connector)
	Connector	White, indicating 300 µm fiber diameter
	Bend protection	Black, indicating u.c. coupling
	Distal End	Probe
	Further features	Cannula length: 70 mm, curved Cannula diameter: 23 G

Properties:	Numerical Aperture	0.22	
	Fiber diameter	300 µm	
	Jacket diameter	2.0 mm	
	Jacket material	PVC-Tubing, yellow	

Further information:	Sterilization	EO
	Sterilization validity	3 years
	Single use / re-usable	single use
	Storage conditions	No UV light or ionizing radiation; temperature: +10°C to +30°C; humidity: 30% to 60%
	CE certification	CE0123

See manual Fibers & Probes for storage and transport conditions as well as general information of A.R.C. Laser consumables.